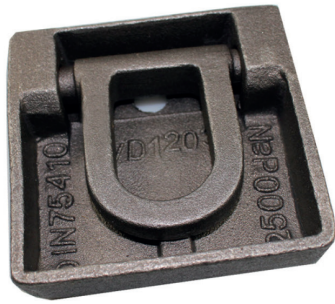


Cargo security

For a safe and comfortable ride



Steel lashing ring



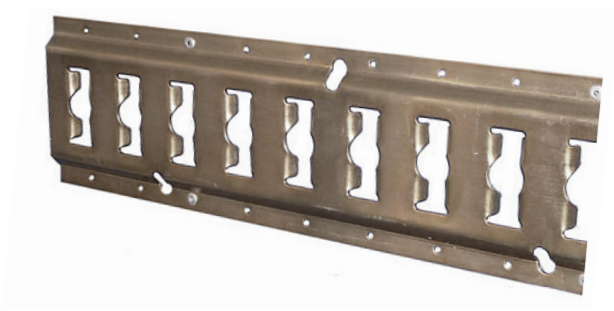
TT-number	dimensions	material
0911012.000	90 × 95 × 30 mm	galv.

Anchoring bowl - set



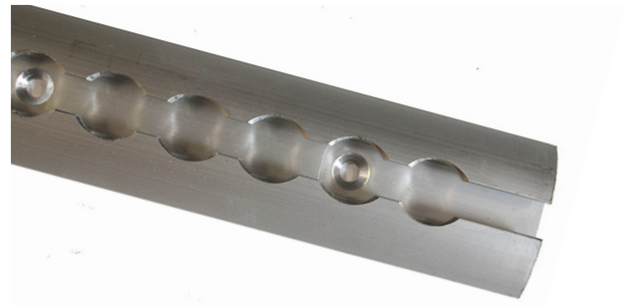
TT-number	dimensions	material
0911033.000	66 × 105 mm	galv.

Anchoring rail – combi



TT-number	dimensions	material
0921100.100	131×12×3060×2,3 mm	galv.

Anchoring rail – Airline



TT-number	dimensions	material
0921556.000	50 × 11,5 × 3000 mm	Al

Anchoring rail – Airline



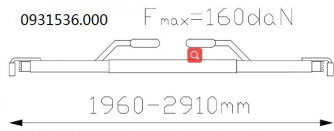
TT-number	dimensions	material
0921554.000	34 × 9,6 × 3000 mm	Al

Anchoring rail – Airline



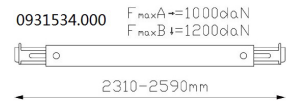
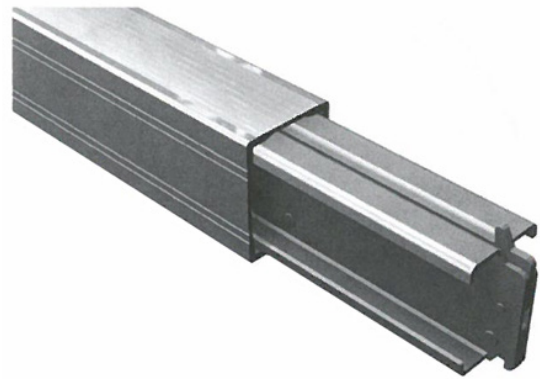
TT-number	dimensions	material
0921552.000	50 × 15 × 3000 mm	Al

Restraint bar 40x40



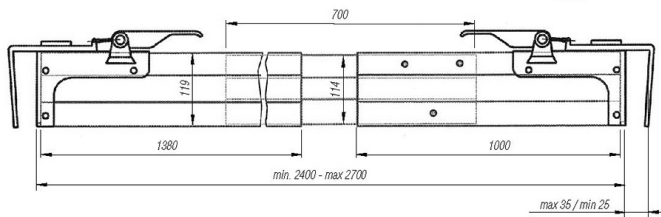
TT-number	length	material
0931536.000	1960 – 2910 mm	galv.

Decking beam for combi rail



TT-number	length	material
0931534.000	2310 – 2590 mm	Al

Internal load restraint bar – complete



TT-number	length	material
0931300.000	2400 – 2700 mm	Al

Strut bar vertical \varnothing 42 mm



0931539.000 $F_{max}=180daN$

2100~2470mm

tt TRANS-TECHNIK

TT-number	length	material
0931539.000	2100 – 2470 mm	Al

Strut bar vertical \varnothing 42 mm



0931540.000 $F_{max}=180daN$

2350~2720mm

tt TRANS-TECHNIK

TT-number	length	material
0931540.000	2350 – 2720 mm	Al

Strut bar vertical \varnothing 42 mm



0931541.000 $F_{max}=180daN$

2650~3020mm

tt TRANS-TECHNIK

TT-number	length	material
0931541.000	2650 – 3020 mm	Al

Strut bar vertical 35x35



0931542.000 $F_{max}=230daN$

1880~2852mm

tt TRANS-TECHNIK

TT-number	length	material
0931542.000	1880 – 2852 mm	galv.

Strut bar vertical \varnothing 42 mm



0931543.000 $F_{max}=180daN$

2100~2470mm

tt TRANS-TECHNIK

TT-number	length	material
0931543.000	2100 – 2470 mm	galv.

Strut bar vertical \varnothing 38 mm



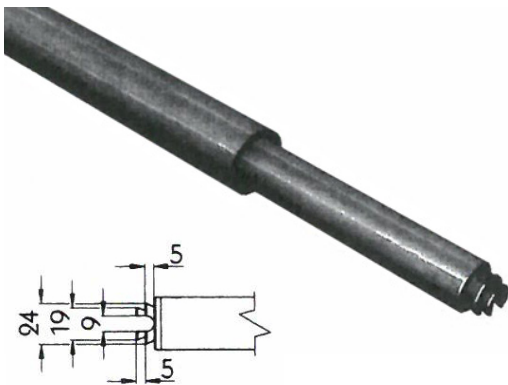
0931610.000 $F_{max}=200daN$

2260~2630mm

tt TRANS-TECHNIK

TT-number	length	material
0931610.000	2260 – 2630 mm	galv.

Restraint bar \varnothing 42 mm



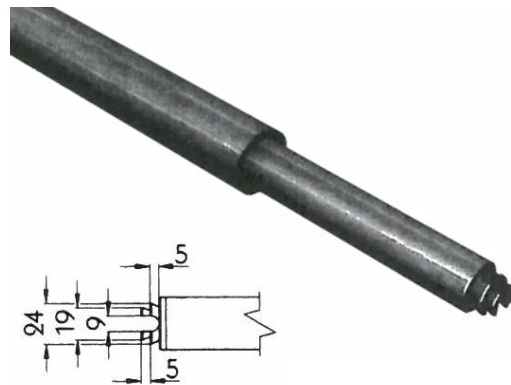
0931501.000 $F_{max}=600daN$

2210~2590mm

tt TRANS-TECHNIK

TT-number	length	material
0931501.000	2210 – 2590 mm	galv.

Restraint bar \varnothing 42 mm



0931503.000 $F_{max}=600daN$

2375~2750mm

tt TRANS-TECHNIK

TT-number	length	material
0931503.000	2375 – 2750 mm	galv.



TRANS – TECHNIK spol. s.r.o.
Tyršova 1146, Modřice, 664 42, Česká republika

+420 548 424 039
objednavky@trans-technik.cz

IČO: 44016077
DIČ: CZ44016077